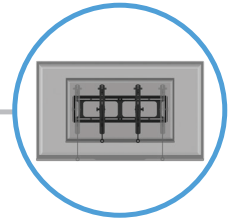
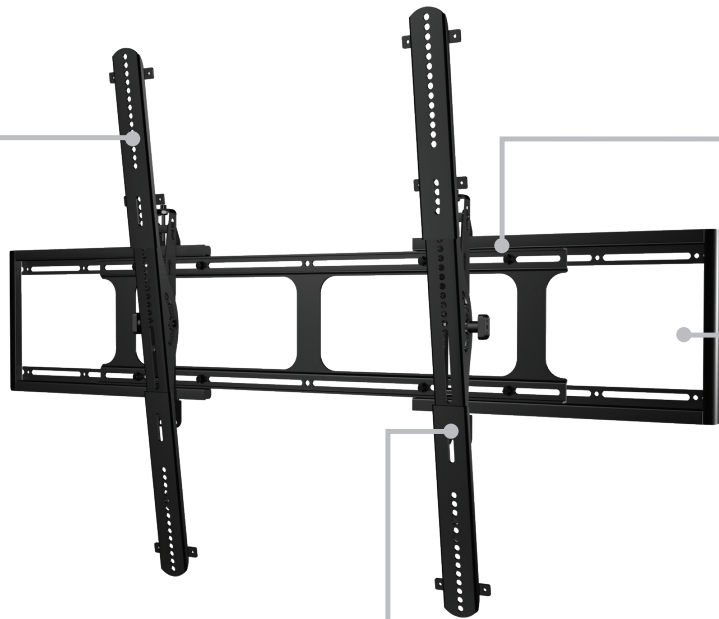


YOU'LL LOVE THIS MOUNT

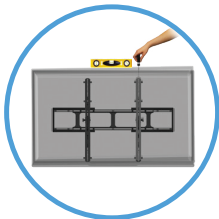
\$399.99



Tilts up 10 and down 7 to eliminate glare



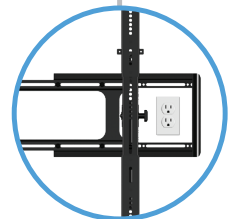
Includes extender brackets to accommodate large TVs



Allows fine-tuning after installation



Safety tab provides a safe and easy connection you can hear



Open wall plate design allows mounting over wall boxes and electrical outlets

ADVANCED TILT | VXT7-B2

Installation and Feature Videos Available Online

FITS **40"-110"** TVs
 HOLDS TVS UP TO 136 KG.

WALL DISTANCE 6.1 cm
 TILT +7° / -10°

- > ELIMINATES GLARE
- > EASY 1, 2, 3 INSTALLATION
- > SAFE AND SECURE

MOUNTING PATTERN

| | | | | | | | | | | | | | |
|-------|---------|---------|---------|---------|---------|---------|---------|---------|---------|---------|---------|---------|--------|
| 75x75 | 100x100 | 200x100 | 200x200 | 300x200 | 300x300 | 400x200 | 400x300 | 400x400 | 600x400 | 700x400 | 800x400 | 800x500 | Random |
| | | | ✓ | ✓ | ✓ | ✓ | ✓ | ✓ | ✓ | ✓ | ✓ | ✓ | ✓ |